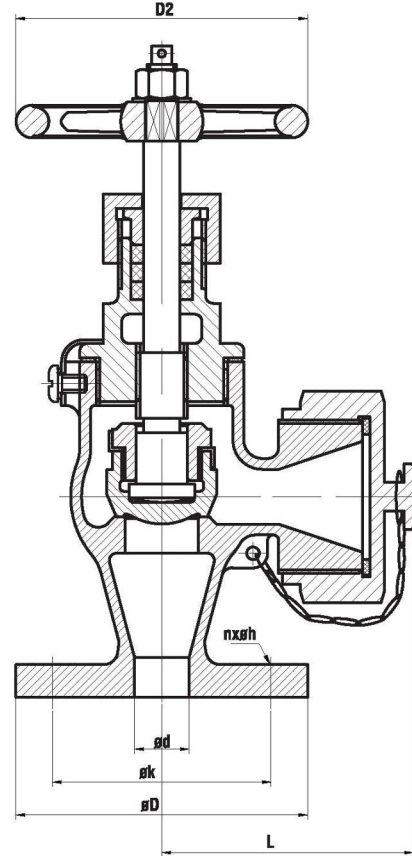


JIS Tip Yangın Vanası (Bronz ,Gönye Tip) JIS Type Fire Hose Valve (Bronze , Angle Type)



NO	PARÇA ADI	PART NAME	MATERIAL
1	GÖVDE	BODY	RG5
2	KAPAK	BONNET	RG5
3	KLAPE	DISC	RG5
4	KLAPE SOMUN	DISC NUT	CuZn39Pb3
5	GLEN	GLAND	CuZn39Pb3
6	MİL	STEM	CuZn39Pb3
7	EMNİYET PULU	DISC LOCK WASHER	CuZn39Pb3
8	CİVATA	BOL	STEEL
9	CİVATA	BOLT	STEEL
10	SALMASTRA	PACKING	GRAPHITE

NO	PARÇA ADI	PART NAME	MATERIAL
11	CONTA	GASKET	Klingrit
12	SOMUN	NUT	STEEL
13	ZİNCİR	CHAIN	AISI 420
14	PUL	WASHER	STEEL
15	KAPAK	BONNET	ZCuSn5Pb5nb
16	HENDİL	HANDWHEEL	GG 20
17	PUL	WASHER	STEEL
18	SOMUN	NUT	STEEL
19	KOPILYA	SPLIT PIN	CuZn39Pb3

FLANŞ JIS 5K

ÖLÇÜ	Ød	FLANŞ JIS 5K							FLANŞ JIS 10K						
		ØD	Øk	b	nxsh	L	øD2	KG	øD	øk	b	nxsh	L	KG	øD2
15A	15	80	60	9	4x12	68	80	2,4	95	70	12	4x15	73	2,8	80
25A	25	95	75	10	4x12	78	125	3,5	125	90	14	4x19	83	4	125
40A	40	120	95	12	4x15	124	140	6	140	105	16	4x19	124	8,2	140
50A	50	130	105	14	4x15	155	160	11	155	120	16	4x19	160	14,3	160
65A	65							23	175	140	18	4x19	180	23	200

UYGULAMA ALANLARI / APPLICATIONS

DENİZ SUYU ve TATLI SU / THE PRODUCTS ARE USED FOR FIRE CONTROL WITH SEA WATER FOR SHIPPING.